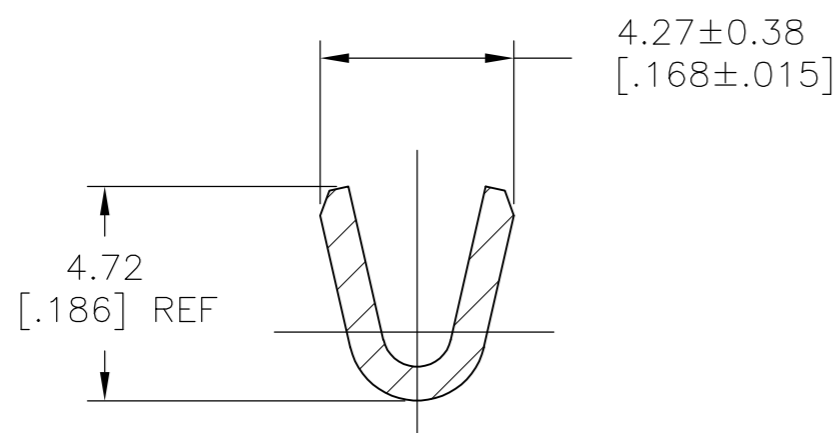
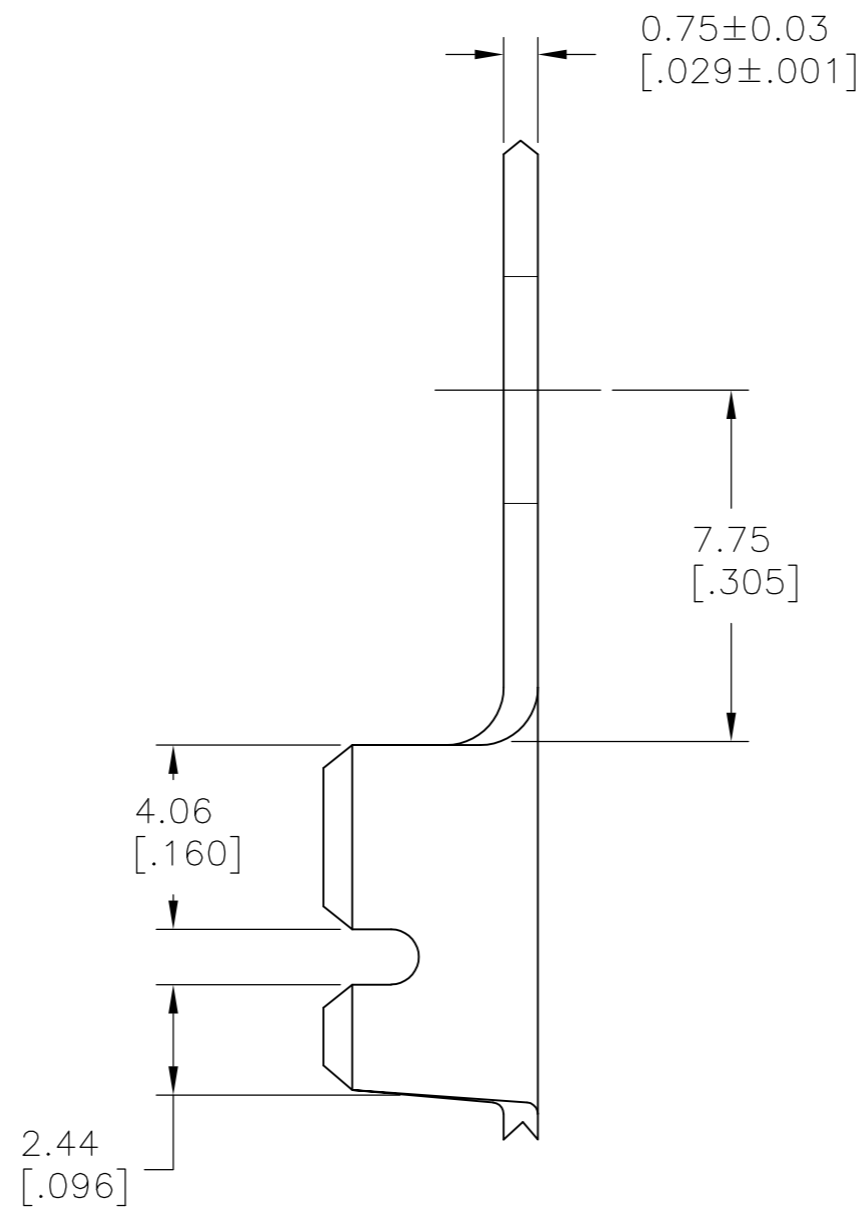
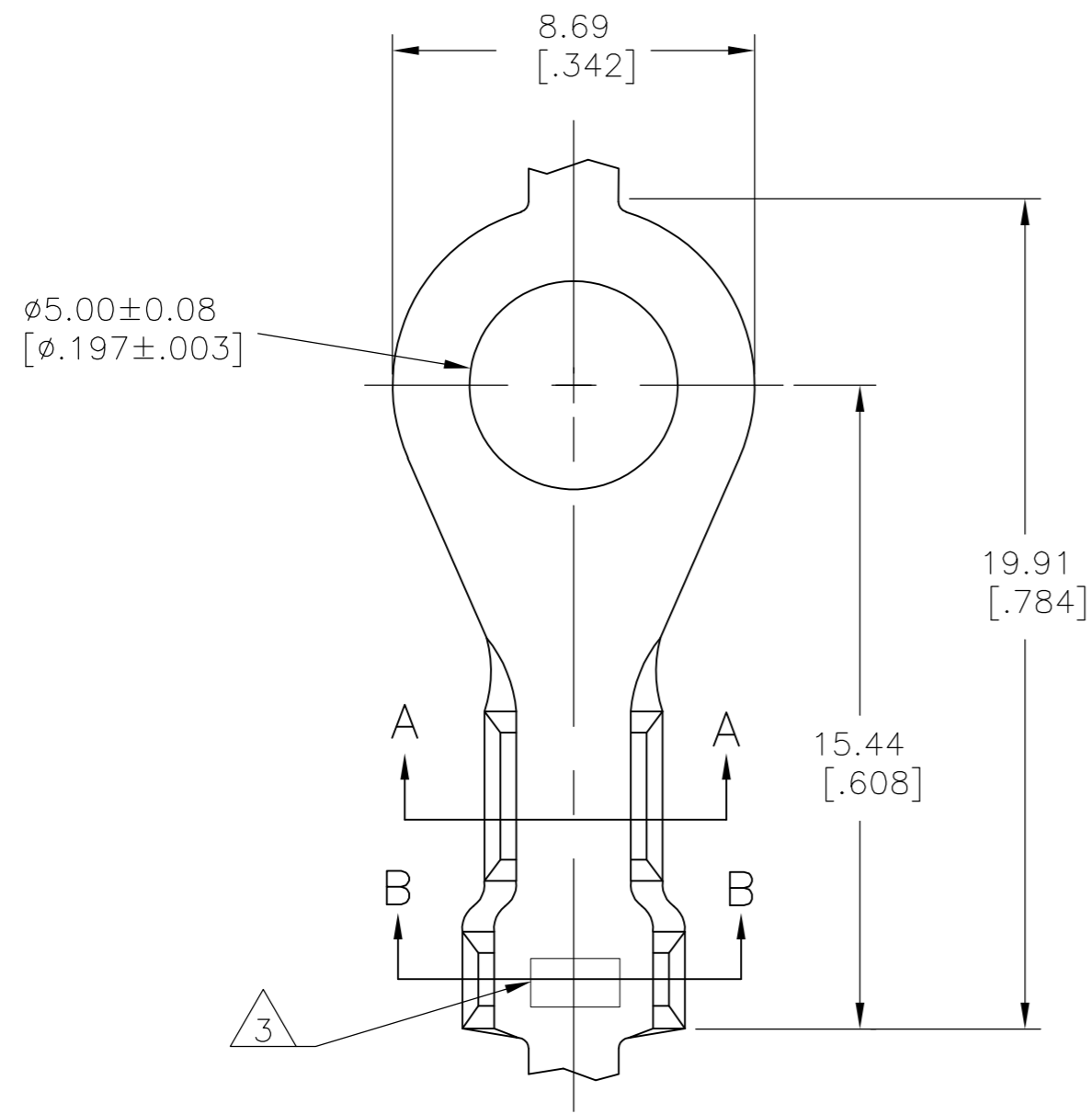
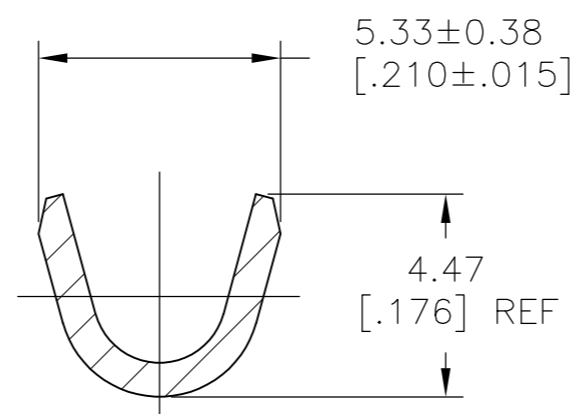


THIS DRAWING IS UNPUBLISHED. RELEASED FOR PUBLICATION
 © COPYRIGHT - By - ALL RIGHTS RESERVED.

| LOC | DIST | REVISIONS | | | |
|-----|------|-------------|---------------------------|---------|--------|
| P | LTR | DESCRIPTION | DATE | DWN | APVD |
| AF | 50 | AF3 | REVISED PER ECO-11-004820 | 11MAR11 | RK HMR |



SECTION A-A



SECTION B-B

- 1 CONTINUOUS STRIP ON REELS.
- 2 TIN PLATING.
- 3 AMP STAMP: AMP FOR 40725, -2, & -3
AMP* FOR 40725-1.
- 4 SPECIAL PACKAGING.
- 5 FOR PROCESSING ONLY.

| | | | | | |
|---|---------------------------------------|---------------------------------|-----------------------------------|---|---------|
| OBSOLETE | 0.8-2.0mm ² [18-14] AWG | 2.54-3.56 [.100-.140] DIA | 2 | 082 BRASS | 40725-4 |
| | | | 2 | 082 BRASS | 40725-3 |
| | | | - | 082 BRASS | 40725-2 |
| | | | 2 | H03 PHOSPHOR BRONZE | 40725-1 |
| | | | 2 | 082 BRASS | 40725 |
| WIRE RANGE | INSULATION RANGE | FINISH | MATERIAL | PART NUMBER | |
| THIS DRAWING IS A CONTROLLED DOCUMENT. | | | DWN 02JAN2001 MICHAEL S. FEHER | TE Connectivity | |
| | | | CHK 23JAN2001 DONDAL DECKER | | |
| DIMENSIONS: mm [INCHES] | | | APVD 23JAN2001 DONDAL DECKER | NAME | |
| TOLERANCES UNLESS OTHERWISE SPECIFIED: | | | PRODUCT SPEC | NOS 10 STUD, TERMINAL, TONGUE, RING | |
| 0 PLC ± - 1 PLC ± - 2 PLC ± 0.25[.010] 3 PLC ± - 4 PLC ± - ANGLES ± 1° | | | APPLICATION SPEC | SIZE CAGE CODE DRAWING NO RESTRICTED TO | |
| MATERIAL SEE TABLE | FINISH SEE TABLE | WEIGHT - | A2 00779 | C=40725 | - |
| CUSTOMER DRAWING | | | SCALE 6:1 | SHEET 1 of 1 | REV AF3 |